

Product information

92 32 29

Universal Tweezers



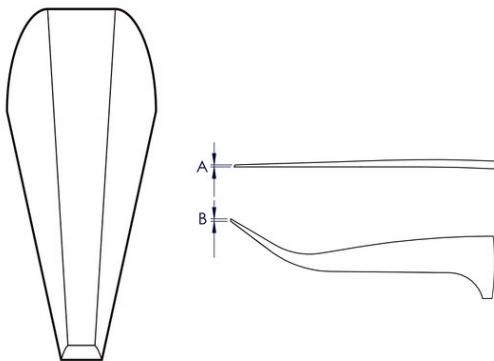
- Universal Tweezers are suitable for demanding standard applications and precision tasks
- Wide range of designs: straight, angled, gripping surfaces and handles smooth or serrated, with needle points, narrow or blunt tips, as well as different lengths
- For the electronics industry, watchmakers and jewellers
- High quality stainless steel: extremely tough and very good corrosion resistance against a variety of atmospheric environments and many corrosive materials
- Stainless steel

General

| | |
|-------------------|--------------------------|
| Article No. | 92 32 29 |
| Reference number | 7.SA.B |
| EAN | 4003773054818 |
| Material | stainless steel |
| Gripping surfaces | smooth gripping surfaces |
| Weight | 15 g |
| Dimensions | 118 x 10 x 10 mm |
| REACH compliant | does not contain SVHC |
| RoHS compliant | not applicable |

Technical details

| | |
|----------------------|------------------------|
| Surface | matt finish |
| Tips width (A) | 0.25 mm |
| Tips width (B) | 0.3 mm |
| Tweezers tip version | needle-point |
| Corrosion-resistant | yes |
| Acid resistance | very good |
| ESD-tested | no |
| VDE tested | no |
| Sectors | Industry electronics |
| Magnetic | non-magnetisable (80%) |



technical change and errors excepted