

Product information

92 31 01

Precision Tweezers



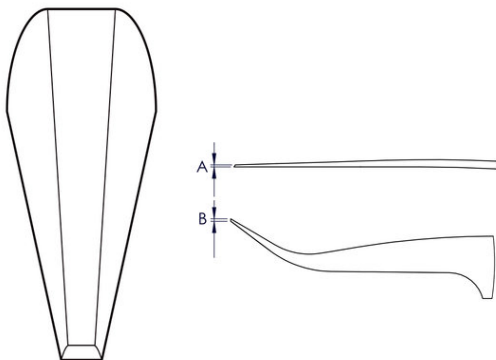
- For particularly demanding precision work: tough and highly resistant to corrosion
- Handcrafted: polished edges and an excellent matt, scratch-free and non-reflective surface
- For the electronics industry, watchmakers, jewellers, laboratories with biological and medical applications in moderately aggressive chemical environments
- High-quality premium stainless steel: high temperature resistance and excellent corrosion resistance to most chemicals, salts and acids
- Ideally suited for microscopic work, precision handling, repairs, manufacturing electronic components, as well as other general applications; tips are guaranteed to have perfect symmetry and balance
- Also available as a set (92 00 02)
- Premium stainless steel

General

Article No.	92 31 01
Reference number	7.SA.0
EAN	4003773085027
Material	premium stainless steel
Gripping surfaces	smooth gripping surfaces
Weight	14 g
Dimensions	120 x 10 x 11 mm
REACH compliant	does not contain SVHC
RoHS compliant	not applicable

Technical details

Surface	matt finish
Tips width (A)	0.09 mm
Tips width (B)	0.16 mm
Tweezers tip version	needle-point
Corrosion-resistant	yes
ESD-tested	no
VDE tested	no
Sectors	Industry electronics
Magnetic	non-magnetisable (80%)



technical change and errors excepted

