

## Product information

# 92 11 03

## Positioning Tweezers

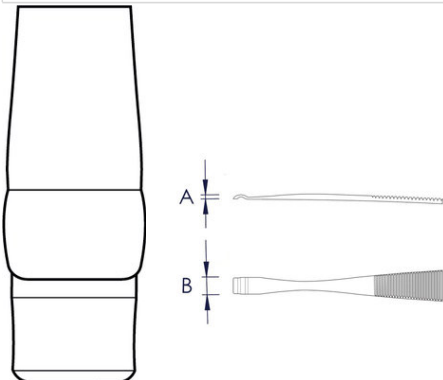


- Makes it easy to hold, insert and pull even the smallest elongated components
- With gripping surfaces in dimensionally adapted designs, for example for firmly and securely positioning or pulling sensitive rounded or cuboid components
- For through-hole technology (THT) and pin-in-hole technology (PIH)
- Antimagnetic to avoid electromagnetic damage
- Stainless steel



| General           |                          |
|-------------------|--------------------------|
| Article No.       | 92 11 03                 |
| Reference number  | 572.SA.B                 |
| EAN               | 4003773085553            |
| Material          | stainless steel          |
| Gripping surfaces | smooth gripping surfaces |
| Weight            | 24 g                     |
| Dimensions        | 122 x 10 x 14.5 mm       |
| REACH compliant   | does not contain SVHC    |
| RoHS compliant    | not applicable           |

| Technical details   |                        |
|---------------------|------------------------|
| Surface             | matt finish            |
| Finish              | straight               |
| Tips width (A)      | 2.5 mm                 |
| Tips width (B)      | 4 mm                   |
| Corrosion-resistant | yes                    |
| Acid resistance     | very good              |
| ESD-tested          | no                     |
| VDE tested          | no                     |
| Sectors             | electronics            |
| Magnetic            | non-magnetisable (80%) |



technical change and errors excepted