

Product information

92 01 07

Positioning Tweezers



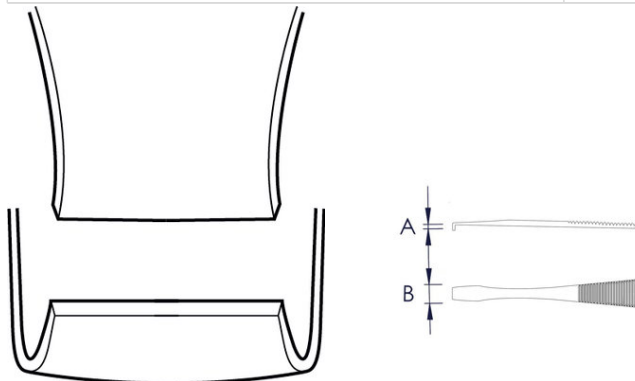
- Makes it easy to hold, insert and pull even the smallest elongated components
- With gripping surfaces in dimensionally adapted designs, for example for firmly and securely positioning or pulling sensitive rounded or cuboid components
- For through-hole technology (THT) and pin-in-hole technology (PIH)
- Antimagnetic to avoid electromagnetic damage
- Stainless steel

General

Article No.	92 01 07
Reference number	5574.SA.B
EAN	4003773086932
Material	stainless steel
Gripping surfaces	smooth gripping surfaces
Weight	22 g
Dimensions	143 x 11 x 17 mm
REACH compliant	does not contain SVHC
RoHS compliant	not applicable

Technical details

Surface	matt finish
Tips width (A)	3.5 mm
Tips width (B)	5.8 mm
Corrosion-resistant	yes
Acid resistance	very good
ESD-tested	no
VDE tested	no
Sectors	electronics
Magnetic	non-magnetisable (80%)



technical change and errors excepted