

Product information

36 22 125

Electronics Mounting Pliers



- To bend and cut wire at 1.6 mm length below the board
- Precision pliers for very fine assembly and repair work in electronics
- For bending and cutting off wire ends on components
- Sturdy, zero backlash box joint
- Smooth ground gripping surfaces
- Edges carefully deburred
- Low-friction double spring for gentle and even opening
- The mirror polish together with a fine film of oil offer effective rust protection - no circuit faults caused by peeling chrome from plated tools
- Ball bearing chrome steel, oil hardened

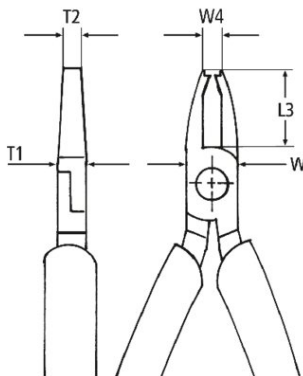
AAA

General

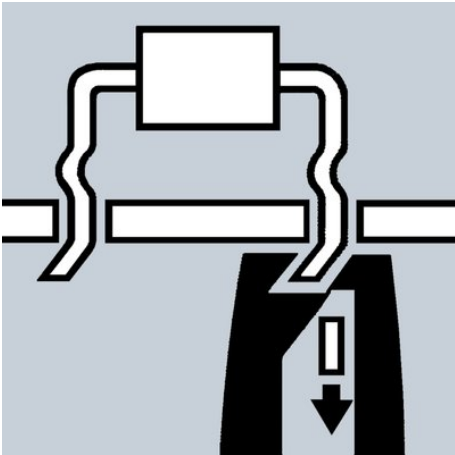
Article No.	36 22 125
EAN	4003773046967
Head	mirror polished
Handles	with multi-component grips
Weight	94 g
Dimensions	125 x 70 x 17 mm
REACH compliant	does not contain SVHC
RoHS compliant	not applicable

Technical details

Cutting capacities soft wire (diameter)	Ø 1.2 mm
Jaw thickness (joint) (T1)	7.0 mm
Tips thickness (W4)	4.0 mm
Head width (W3)	11.0 mm
Handle width	7.5 mm
Jaw length (L3)	18.0 mm
Application	cut at 1.6 mm and bend wire



technical change and errors excepted



to bend and cut wire at 1.6 mm length below the board

