

## Product information

# 26 26 200 T

## Snipe Nose Side Cutting Pliers (Stork Beak Pliers)

DIN ISO 5745 IEC 60900 DIN EN 60900

- Elastic tips: dimensionally stable even when twisted
- Pliers with integrated, insulated tether attachment point for a tool tether
- Distortion-tolerant, elastic precision tips
- Half-round, long, tapered jaws
- With cutting edges for soft, medium-hard and hard wire
- Cutting edges additionally induction-hardened, cutting edge hardness approx. 61 HRC
- Vanadium electric steel, forged, multi stage oil-hardened



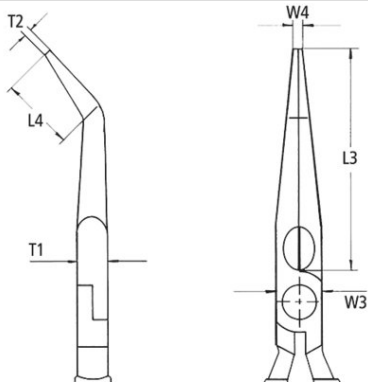
### General

Article No.	26 26 200 T
EAN	4003773081456
Pliers	chrome-plated
Head	chrome-plated
Handles	insulated with multi-component grips, VDE-tested with integrated insulated tether attachment point for a tool tether
Weight	215 g
Dimensions	200 x 54 x 27 mm
Standard	DIN ISO 5745 DIN EN 60900 IEC 60900
REACH compliant	does not contain SVHC
RoHS compliant	not applicable

### Technical details

Cutting capacities medium hard wire (diameter)	Ø 3.2 mm
Cutting capacities hard wire (diameter)	Ø 2.2 mm
Jaw thickness (joint) (T1)	9.5 mm
Tips width (W4)	3.0 mm
Tips thickness (T2)	2.5 mm
Gripping surface length (L4)	23.0 mm
Jaw length (L3)	73.0 mm
Head width (W3)	18 mm
Drop Protection System	yes
VDE tested	yes

## Technical details



*technical change and errors excepted*