

Product information

26 25 200 T

Snipe Nose Side Cutting Pliers (Stork Beak Pliers)

DIN ISO 5745

- Elastic tips: dimensionally stable even when twisted
- Pliers with tether attachment point for mounting a fall protection system
- Distortion-tolerant, elastic precision tips
- Half-round, long, tapered jaws
- With cutting edges for soft, medium-hard and hard wire
- Cutting edges additionally induction-hardened, cutting edge hardness approx. 61 HRC
- Vanadium electric steel, forged, multi stage oil-hardened



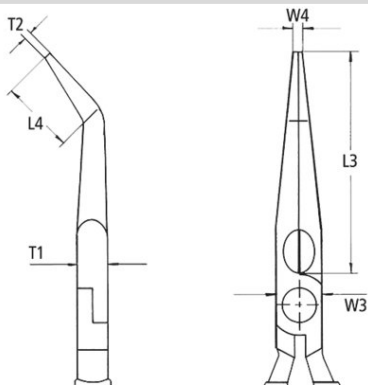
General

Article No.	26 25 200 T
EAN	4003773080015
Pliers	chrome-plated
Head	chrome-plated
Handles	with multi-component grips, with integrated tether attachment point for a tool tether
Weight	205 g
Dimensions	200 x 57 x 27 mm
Standard	DIN ISO 5745
REACH compliant	does not contain SVHC
RoHS compliant	not applicable

Technical details

Cutting capacities medium hard wire (diameter)	Ø 3.2 mm
Cutting capacities hard wire (diameter)	Ø 2.2 mm
Jaw thickness (joint) (T1)	9.5 mm
Tips width (W4)	3.0 mm
Tips thickness (T2)	2.5 mm
Gripping surface length (L4)	23.0 mm
Jaw length (L3)	73.0 mm
Head width (W3)	18 mm
Drop Protection System	yes

Technical details



technical change and errors excepted

