

Product information

20 05 160

- Flat, short, wide jaws
- Knurled gripping surfaces
- Special tool steel, forged, oil-hardened

Flat Nose Pliers

DIN ISO 5745

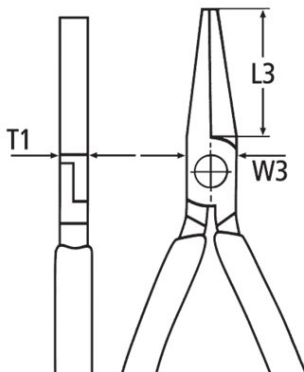


General

Article No.	20 05 160
EAN	4003773042457
Pliers	chrome-plated
Head	chrome-plated
Handles	with multi-component grips
Weight	176 g
Dimensions	160 x 54 x 13 mm
Standard	DIN ISO 5745
REACH compliant	does not contain SVHC
RoHS compliant	not applicable

Technical details

Jaw thickness (joint) (T1)	9.5 mm
Jaw length (L3)	30.0 mm
Head width (W3)	17.0 mm



technical change and errors excepted

