

## Product information

# 20 01 180

- Flat, short, wide jaws
- Knurled gripping surfaces
- Special tool steel, forged, oil-hardened

## Flat Nose Pliers

DIN ISO 5745

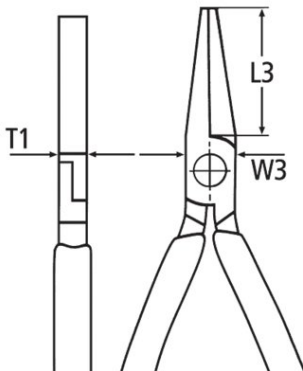


### General

|                 |                       |
|-----------------|-----------------------|
| Article No.     | 20 01 180             |
| EAN             | 4003773042440         |
| Pliers          | black atramentized    |
| Head            | polished              |
| Handles         | plastic coated        |
| Weight          | 185 g                 |
| Dimensions      | 180 x 56 x 13 mm      |
| Standard        | DIN ISO 5745          |
| REACH compliant | does not contain SVHC |
| RoHS compliant  | not applicable        |

### Technical details

|                            |         |
|----------------------------|---------|
| Jaw thickness (joint) (T1) | 10.0 mm |
| Jaw length (L3)            | 35.0 mm |
| Head width (W3)            | 19.0 mm |



*technical change and errors excepted*

