

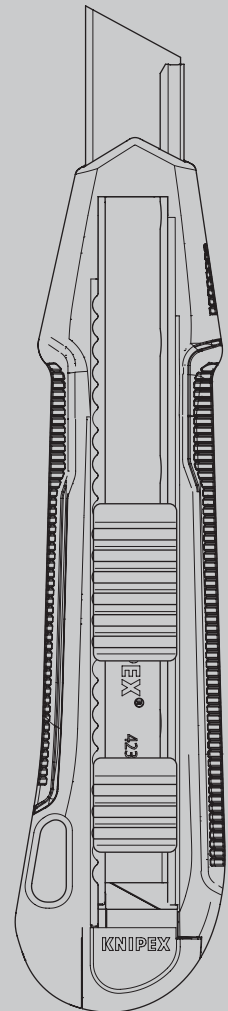
KNIPEX Quality – Made in Germany



Operating instructions

90 10 165

EN Universal knife



CONTENTS

1	General	3
1.1	Notes on operating instructions	3
1.2	Symbols	3
1.3	Copyright	3
1.4	Guarantee and warranty	4
2	Safety	5
2.1	Intended use	5
3	Design and function	6
3.1	Design	6
3.2	Function	6
4	Operation	7
4.1	Replacing the blade	7
4.2	Replacing the stabilisation bar	8
4.3	Attaching the Tethered Tool System	10
4.4	Cutting with a universal knife	11
5	Maintenance	11
6	Technical data	12
7	Disposal	12

1 General

1.1 Notes on operating instructions

These operating instructions are designed to enable you to use your tool safely and efficiently.

The tool may only be used if it is in technically perfect condition.

As a consequence of technical developments, the illustrations and descriptions contained in these operating instructions may differ slightly from the tool actually delivered.

We do not accept any liability for damage caused by failure to observe these operating instructions.

1.2 Symbols

All safety instructions in these operating instructions are indicated by corresponding symbols. The signal words at the beginning of each safety instruction express the extent of the hazard.



Danger!

Level 1 risk source

This combination of symbol and signal word indicates an imminently hazardous situation that will result in death or serious injury if not avoided.



Warning!

Level 2 risk source

This combination of symbol and signal word indicates a possibly hazardous situation that may result in death or serious injury if not avoided.



Caution!

Level 3 risk source

This combination of symbol and signal word stands for important information that will assist in preventing damage to property or the environment.

1.3 Copyright

These operating instructions and all documentation supplied with this tool are protected by copyright and remain the property of KNIPEX.

The reprinting of these instructions, even in extract form, is only permitted with the written consent of C. Gustav Putsch KG.

1.4 Guarantee and warranty

The manufacturer grants a statutory warranty in accordance with the current sales and delivery conditions. No further warranties or assurances are granted.

Within the warranty period, the warranty covers the rectification of all defects that can be traced back to material faults or manufacturing errors.

Wearing parts are excluded from the warranty.

The repair or replacement of a tool shall not result in an extension of the warranty period. Tools shall only be repaired or replaced with "as new" parts, whose function corresponds to that of the old parts. All defective and hence replaced parts are the property of the manufacturer.

Warranty claims shall expire in particular if:

- Damage is caused through improper operation, use for purposes other than those specified by the manufacturer, or poor maintenance.
- Repairs or conversions are carried out by unauthorized persons.
- No original accessories or spare parts from KNIPEX are used.
- Defective components are not repaired immediately to minimise the extent of the damage and so as not to impair the safety of the tool (obligation to repair).

For the rest, reference is made to the liability and warranty regulations of the current sales and delivery conditions.

2 Safety

2.1 Intended use

The tool is intended for the following uses:

- Cutting cardboard, paper, plasterboard, wood, types of rubber, carpets, thinner thermoplastics and foils

Any use beyond the intended purpose or any unauthorized modification shall be considered improper. The operator shall be liable for damages resulting from improper use.

Intended use also includes adhering to these operating instructions. They must be read in full before use.



Warning!

Danger from sharp blades!

Handling sharp blades is dangerous. For this reason, make sure to handle your tools with care when working.



Warning!

Risk of injury from broken and flying around blade segments!

Wear eye protection when using the knife!



Warning!

Danger due to sharp blades!

Always guide the blade away from your body when cutting.
Never point the blade towards other people when cutting.



Warning!

Danger due to sharp blades!

Always use the slider to retract the blade when you are not using the knife.



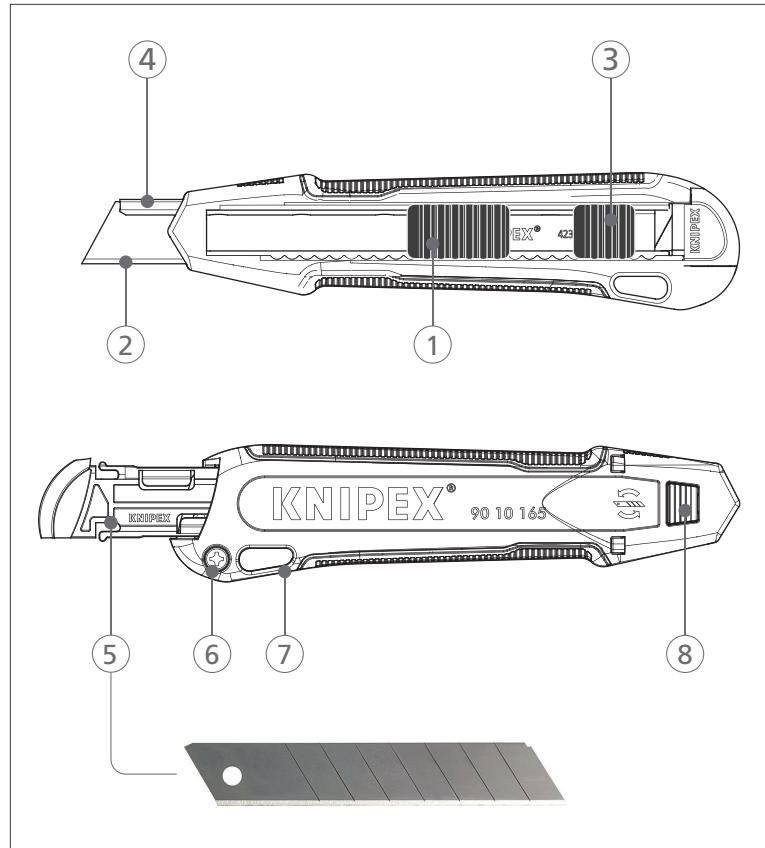
Warning!

Danger from falling objects!

Use KNIPEX Tethered Tools to secure your tool when working at great heights.

3 Design and function

3.1 Design



Design of a universal knife

- 1 Slider for the blade
- 2 Blade
- 3 Slide for the stabilisation bar
- 4 Stabilisation bar
- 5 Magazine with spare blades
- 6 Fastening screw for both halves of the housing
- 7 Holder for the tethering system
- 8 Release button for replacing the blade

3.2 Function

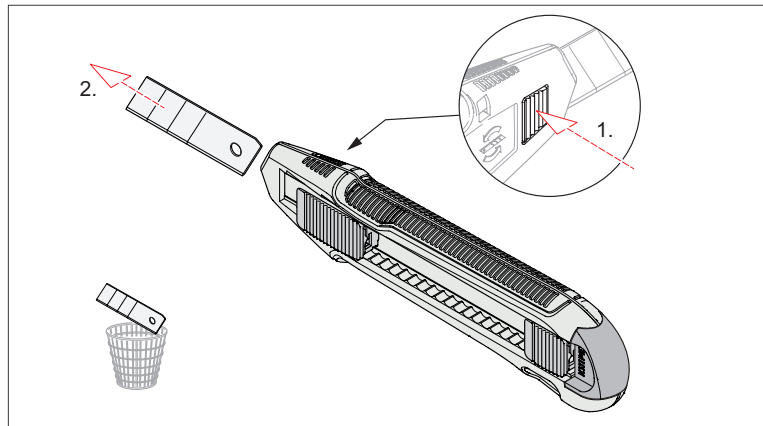
The universal knife is used to cut cardboard, paper, plasterboard, wood, types of rubber, carpets, thinner thermoplastics and foils.

Light sharpening work can also be carried out with the aid of the stabilisation bar.

4 Operation

4.1 Replacing the blade

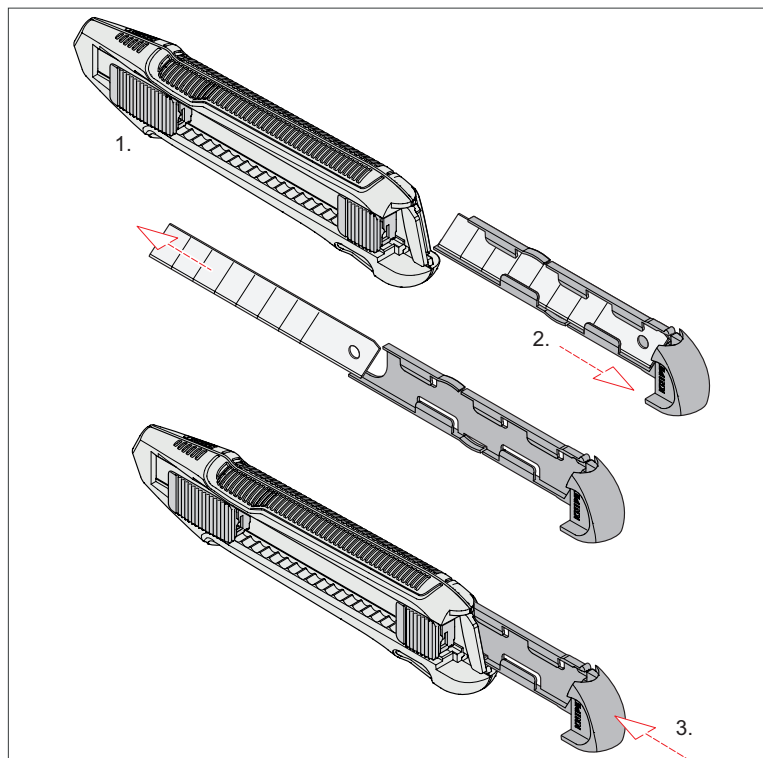
4.1.1 Remove the used blade



Remove the blade

1. Use the slider to push the blade all the way forward.
2. Press and hold the release button (on the opposite side) and pull out the blade. **Caution: the blade is sharp!**
3. Dispose the used blade properly.

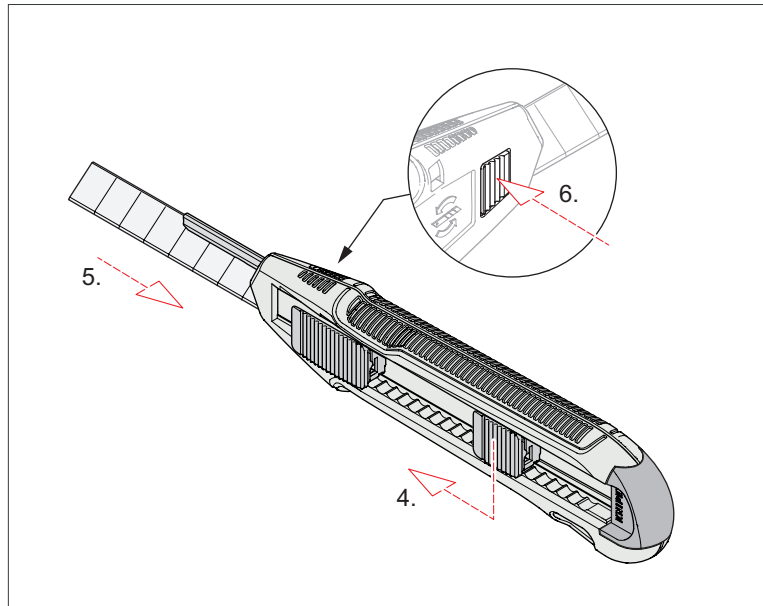
4.1.2 Install a new blade.



Remove the spare blade from the magazine

1. Leave the slider for the blade in the fully extended position.
2. Pull out the magazine with spare blades and remove a blade.
3. Push the magazine back in.

OPERATION

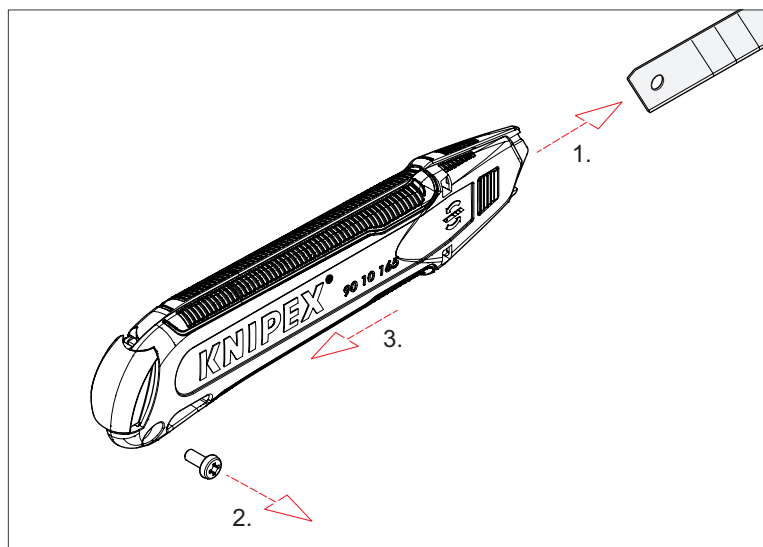


Insert the blade

4. Use the slide to move the stabilisation bar out slightly.
5. Insert the blade and push it in as far as the stop.
6. Press and hold the release button and push the blade in until it clicks into place.
7. Check whether the blade is locked in position.

4.2 Replacing the stabilisation bar

4.2.1 Remove defective stabilisation bar

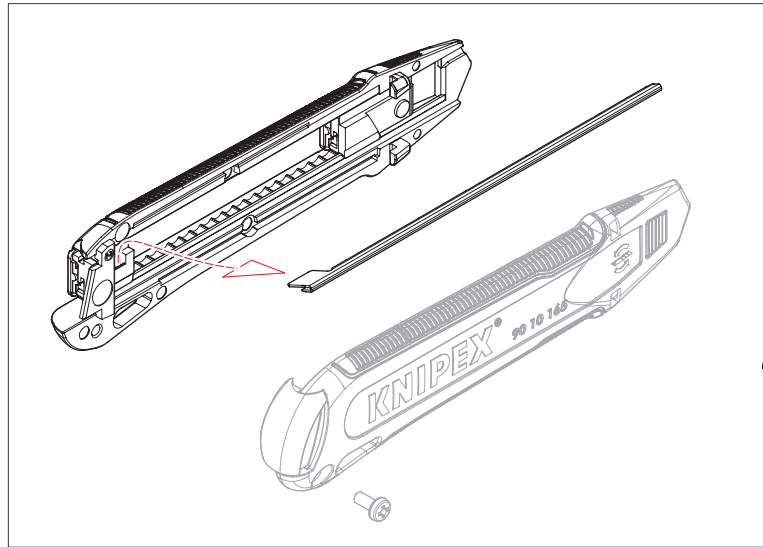


Open up the universal knife

1. Remove the blade as described in 4.1.
2. Pull out the magazine containing spare blades.
3. Loosen and remove the fastening screw for both halves of the housing.
4. Pull one half of the knife housing back and open up the knife housing.

OPERATION

5. Carefully lift the stabilisation bar and pull it out.

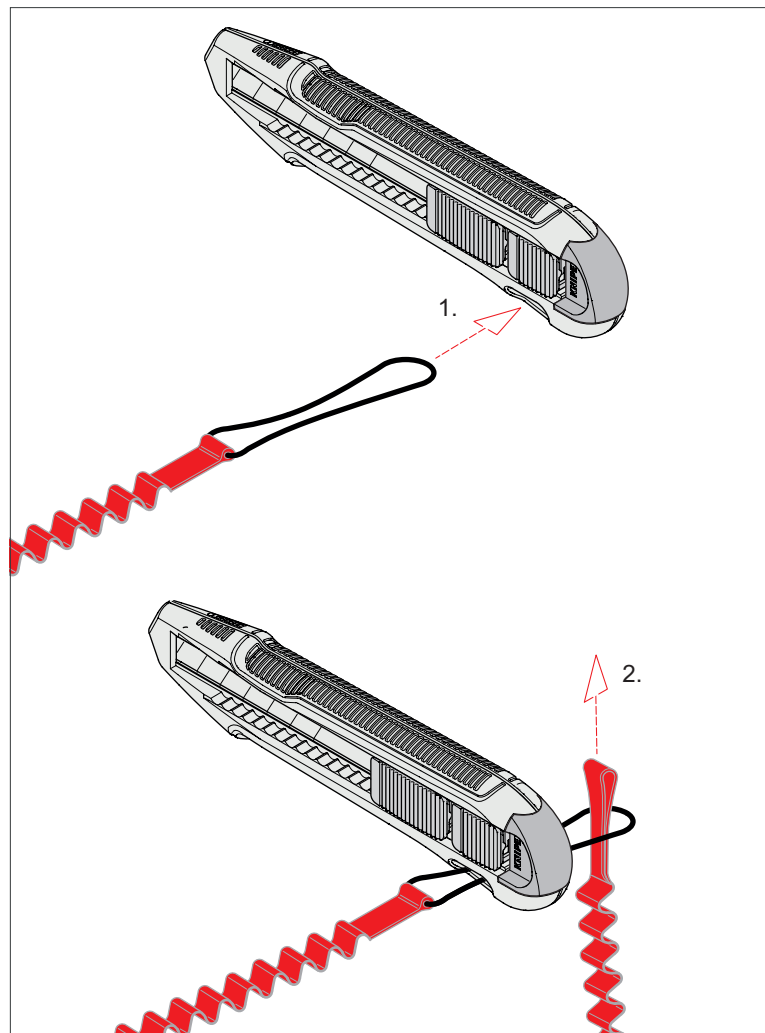


Remove the stabilisation bar

4.2.2 Install new stabilisation bar

1. Insert the new stabilisation bar.
2. Put both halves of the knife housing back together.
3. Insert the fastening screw and tighten it again.
4. Slide the stabilisation bar forward.
5. Insert the blade and push it in as far as the stop.
6. Press and hold the release button and push the blade in until it clicks into place.
7. Check whether the blade is locked in position.

4.3 Attaching the Tethered Tool System



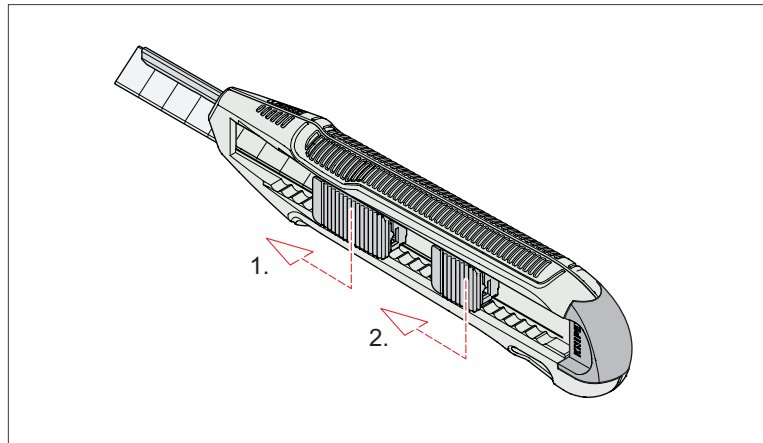
Attach the tether

1. Insert the adaptor strap (or the loop of the tether) through the holder on the tool.
2. Pull the other end through the loop.
3. Push the safety slide up to the attachment position.

Note:

Use the Tethered Tool System available from KNIPEX, such as the 00 50 04 T BK set.

4.4 Cutting with a universal knife



Use a universal knife with stabilisation bar

1. Use the slider to push the blade forward as far as necessary.
2. Slide the stabilisation bar forward so that it fully supports the blade.

Note:

The stabilisation bar stiffens the blade and thus enables stable cutting with a very long blade.

Tips for cutting with universal knives:

- ALWAYS cut away from the body!
- No part of the body may be in the extension of the cutting line!
Stand diagonally to the cut. Always put your free hand on the other end of the object to be cut.
- When cutting cardboard boxes, hold the knife at an angle of 45°. This reduces effort by up to 30 % effort whilst reducing the risk of injury!
- When cutting the strapping, pull the strap gently with your free hand. Place the knife at a shallow angle and cut with a short, forceful movement.

5 Maintenance

The tool is maintenance-free.

6 Technical data

Technical data	Unit	
Item number of universal knife	–	90 10 165
Item number of replacement bar	–	90 19 165
Length	mm	166
Width	mm	19
Height	mm	40
Weight	g	128
Properties	–	with stabilisation bar

7 Disposal

Ensure that the dismantled parts of the tool are properly recycled.



KNIPEX-Werk
C. Gustav Putsch KG

42337 Wuppertal

Tel.: +49 202 – 47 94-0
Fax: +49 202 – 47 74 94

info@knipex.com
www.knipex.com